

**SPARE PARTS CATALOGUE  
ERSATZTEILKATALOG  
CATALOGUE PIECES DETACHEES  
CATALOGO PARTI RICAMBIO  
CATALOGO DE PIEZAS DE RECAMBIO  
CATALOGO PECAS, DE REPOSICAO**



Catalogo parti di ricambio valido  
dalla matricola 4380243 (14.12.2021) alla matricola 4345556 (08.04.2019)

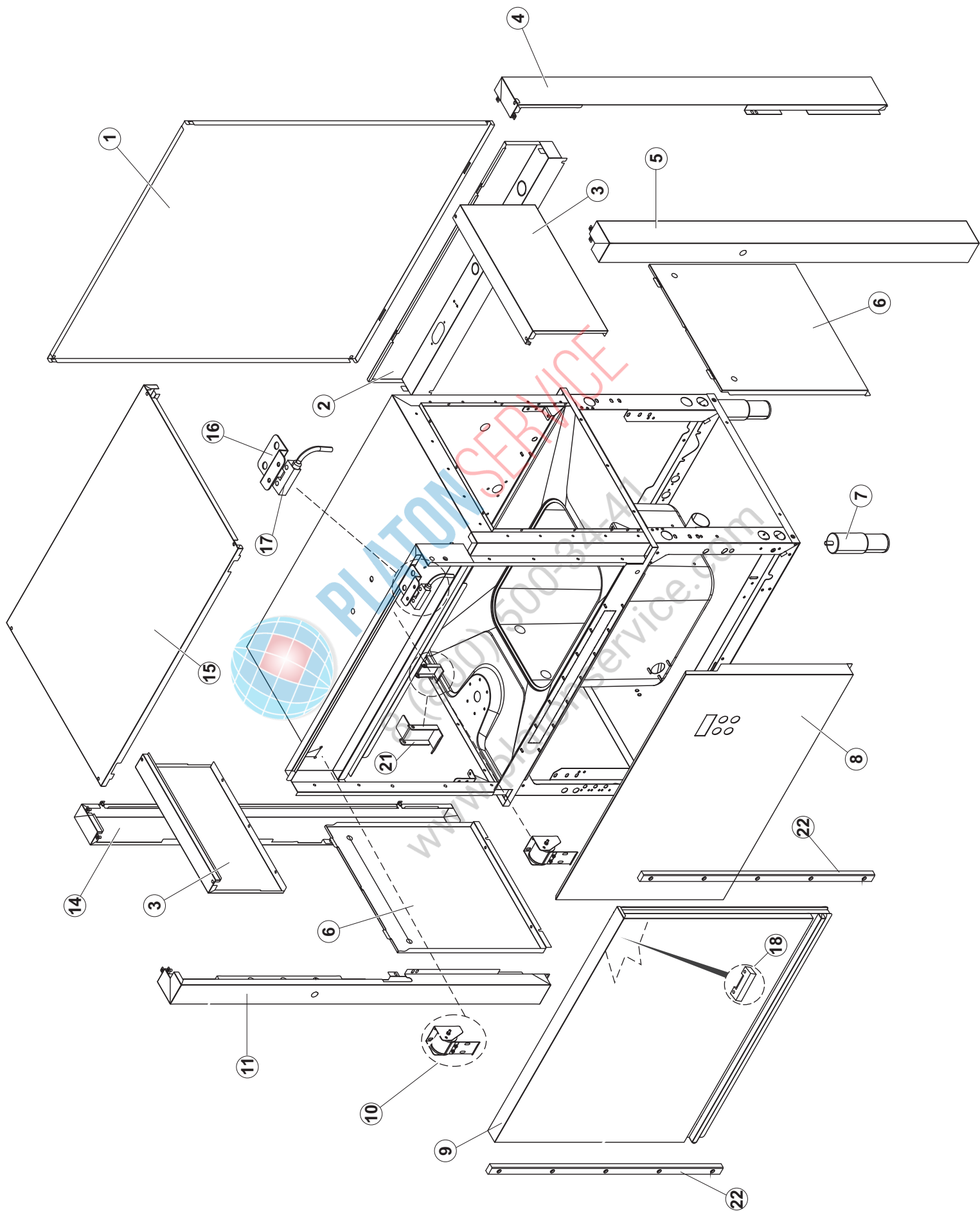
Catalogue pieces detachees  
du numero de Série n. 4380243 (14.12.2021) jusqu'à n. 4345556 (08.04.2019)

Ersatzteilkatalog  
ültig ab Serien-Nr. 4380243 (14.12.2021) bis Serien-Nr. 4345556 (08.04.2019)

Spare parts catalogue  
valid from serial no. 4380243 (14.12.2021) to serial no. 4345556 (08.04.2019)

Catálogo de peças de reposição  
o de série 4380243 (14.12.2021) até o número de série 4345556 (08.04.2019)

## NIAGARA 411-1



# Listino componenti per pagina 1

1	65244	PANNELLO POSTERIORE PANNEAU ARRIERE RUECKWAND BACK PANEL PANEL TRASERO	
2	65080	PANNELLO POSTERIORE PANNEAU ARRIERE RUECKWAND BACK PANEL PANEL TRASERO	
3	65035	PANNELLO SUPERIORE PANNEAU AVANT VORDERPANEEL FRONT PANEL PANEL FRONTAL	
4	65258	PANNELLO ANGOLARE POSTERIORE DESTRO ANGLE ARRIERE DROIT PANNEAU ANGLE HINTEN LINKS PANEL CORNER REAR RIGHT PANEL PANEL DE ANGULO TRASERO DERECHO	
5	65337	MONTANTE DESTRO montant de support Unterstützung aufrecht supporting upright montante de soporte	
6	65054	PANNELLO LATERALE PANNEAU LATERAL SEITENWAND SIDE PANEL PANEL LATERAL	
7	73100	PIEDE VERRIN FUSS FOOT PATA REGOLABILE X CAPOTA 3LINEA	
8	65066	PANNELLO ANTERIORE TIPO C4-2 CPL PANNEAU AVANT TIPO C4-2 CPL VORDERPANEEL TIPO C4-2 CPL FRONT PANEL TIPO C4-2 CPL PANEL FRONTAL TIPO C4-2 CPL	
9	K65282	KIT PORTA MODULO LAVAGGIO KIT PORTE LAVAGE KIT TÜR WASCZONE KIT DOOR WASH UNIT KIT PUERTA DE LAVADO	
10	65654  <i><u>Recommended spare parts</u></i>	KIT MOLLE SPORTELLO TRAINO RESSORT KIT FEDER KIT DOOR SPRING KIT KIT MUELLES PUERTA GOLD80/RIVER150	
11	65338	PANNELLO ANGOLARE ANTERIORE DESTRO PANNEAU DROIT D'ANGLE ANGLE VORDERSEITE RECHTS PANEL CORNER FRONT RIGHT PANEL PANEL DE ANGULO FRENTE DERECHO	
14	65259	PANNELLO ANGOLARE POSTERIORE SINISTRO ANGLE ARRIERE GAUCHE PANNEAU ANGLE HINTEN RECHTS PANEL CORNER REAR LEFT PANEL PANEL DE ANGULO TRASERO IZQUIERDO	
15	65050	PANNELLO SUPERIORE HAUT PANNEAU OBER PANEEL TOP PANEL PANEL SUPERIOR	
16	65256	STAFFA EQUERRE DE FIXATION BEF.WINKEL BRACKET BRIDA DE APOYO	
17	80871  <i><u>Recommended spare parts</u></i>	MICRO MAGNETICO CONTACTE MAGNETIQUE TÜERKONTAKTSCHALTER MAGNETIC DOOR SWITCH CONTACTO MAGNETICO	

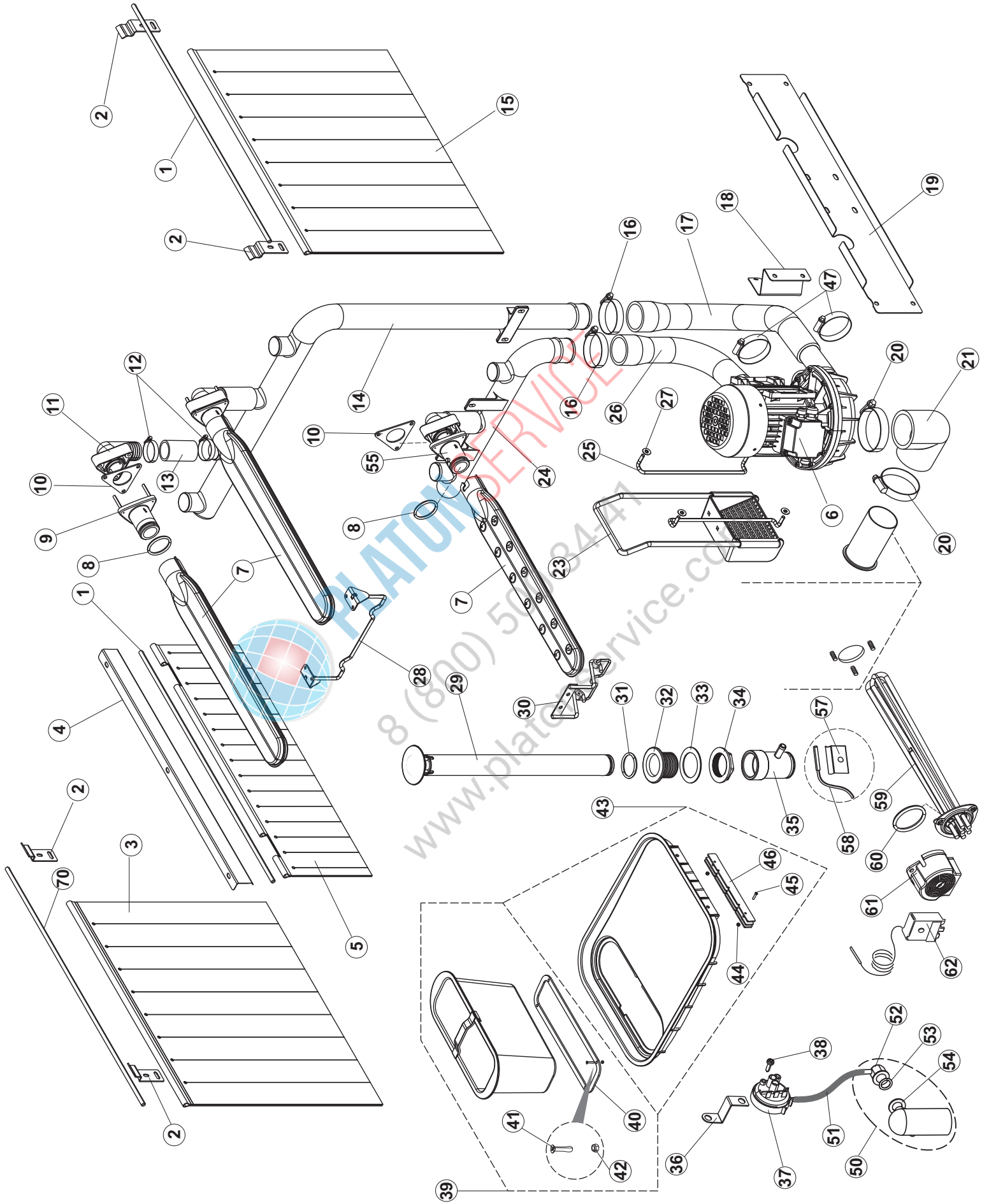
18	927088	MAGNETE PER MICROINTERRUPTORE CAPP MAGNETO POUR MICRO HOTTE MAGNET FÜR MIKROSCHALTER MAGNET FOR HOOD MICROSWITCH IMAN PARA MICROINTERRUPTOR	
21	75064	GANCIO SPORTELLO TRAINO CROCHET DE SURETE PORTE SICHEREHEITSHAKEN DOOR SAFETY HOOK FOR RACK-CONVEYOR GANCHO DE SEGURIDAD PARA PUERTA	
22	75647	GUIDE PORTA TRAINO GUIDE PORTE CONEYEURS Bandführung SLIDES CONVEYOR DOOR GUJA PUERTA	



PLATON SERVICE

8 (800) 500-34-47

www.platonservice.com



## Listino componenti per pagina 2

1	75124	SOSTEGNO TENDINA PER LAVASTOVIGLIE A SUPPORT RIDEAU POUR LAVE-VAISSELLE A STAB, STÜTZE FÜR MITTL.VORHANG CURTAIN SUPPORT FOR RACK-CONVEYOR DISH- VARA SOSTEN CORTINA INERMED. ACCION.	
2	65128	SUPPORTO TENDINA console de support Stützwinkel support bracket ménsula de soporte	
3	65210	TENDINA rideau Vorhang CURTAIN CORTINAS	
4	65162	STAFFA SUPPORTO TENDINA INTERMEDIO H=78 ÉQUERRE SUPPORT RIDEAU BEFESTIGUNGSWINKEL FUER VORHANG CURTAIN SUPPORTING BRACKET SOPORTE CORTINA	
5	65227	TENDINA rideau Vorhang CURTAIN CORTINAS	
6	70100  <u>Recommended spare parts</u>	POMPA LAVAGGIO POMPE DE LAVAGE PUMPE WASHPUMP bomba de lavado	
7	65265	BRACCIO COMPLETO LAVAGGIO BRAS DE LAVAGE COMPLET WASCH ARM KOMPLETTEN COMPLETE WASH ARM BRAZO LAVADO COMPLETO	
7	75616	BRACCIO LAVAGGIO BRAS DE LAVAGE COMPLET SPUELARM COMPLETE WASH ARM BRAZO LAVADO COMPLETO	
8	CGR4131NT  <u>Recommended spare parts</u>	O-RING O-RING O-RING 4131 SCHWARZE SCHRAUBE SH.70 O-RING O-RING	
9	75645	ATTACCO LANCIA SUP. TRAINO BRAS DE CONNEXION VERBINDUNGSARM CONNECTING ARM BRAZO DE CONEXIÓN	
10	437050	GUARNIZIONE GOMITO PORTAGOMMA PER JOINT DICHTUNG, KNIESTÜCK SCHLAUCHTÜLLE MOD 22 GASKET JUNTA	
11	75155	RACCORDO LAVAGGIO ESTERNO TRAINO RACCORD VERBINDUNGSST., AUSS. SPÜL. KORBTR. PIPE FITTING RECOGIDA	
12	CFS32	FASCETTA TORRO W1 32-50/9-7 BANDE DE SERRAGE TORRO W1 32-50/9-7 SCHELLE, TORRO W1 32-50/9-7 CLAMP, TORRO W1 32-50/9-7 ABRAZADERA TORRO W1 32-50/9-7	
13	75154	MANICOTTO MANDATA LAVAGGIO TRAINO tuyau de refoulement à laver MUFFE, SPÜL.VERSORGUNG FÜR KORBTRANSPORTM. DELIVERY WASH HOSE MANGUITO LAVADO	
14	65177	TUBO MANDATA LAVAGGIO SUPERIORE TUYAU SCHLAUCH PIPE TUBO IMPULSION LAVADO	

15	65210	TENDINA rideau Vorhang CURTAIN CORTINAS	
16	CFS2	FASCETTA TORRO W1/W2B 50-70/12 BANDE DE SERRAGE TORRO W1/W2B 50-70/12 SCHELLE, TORRO W1/W2B 50-70/12 CLAMP, TORRO W1/W2B 50-70/12 ABRAZADERA TORRO W1/W2B 50-70/12	
17	65624	TUBO MANDATA SUPERIORE TUYAU SCHLAUCH PIPE MANGUITO	
18	65326	STAFFA console de support Stützwinkel support bracket ménsula de soporte	
19	65330	STAFFA EQUERRE DE FIXATION BEF.WINKEL BRACKET BRIDA DE APOYO	
20	CFS3	FASCETTA A VITE TORRO W2B 60-80/12 BANDE DE SERRAGE A VIS TORRO W2B 60-80/12 SCHELLE, SCHRAUBE TORRO W2B 60-80/12 CLAMP, HOSE-TYPE TORRO W2B 60-80/12 ABRAZADERA CON TORNILLO TORRO W2B	
21	926056	GOMITO D'ASPIRAZIONE IN GOMMA PER TUYAU a coudé KNIESTÜCK, GUMMI, ABSAUG.PUMPE 120/140 PIPE ELBOW tubo acodado	
23	75661	FILTRO ASPIRAZIONE POMPA FILTRE ASPIRATION POMPE PUMPENANSAUGSIEB PUMP ASPIRATION FILTER FILTRO ASPIRACION BOMBA	
24	K65176	TUBO MANDATA LAVAGGIO INFERIORE + PARZ.77018 TUYAU + PARZ.77018 SCHLAUCH + PARZ.77018 PIPE + PARZ.77018 TUBO IMPULSION LAVADO + PARZ.77018	
25	42092	GUIDA FILTRO ASPIRAZIONE U70 GUIDE FILTRE ASPIRATION FÜHRUNG, ABSAUG.FILTER U70 ASPIRATION FILTER SLIDE GUIA FILTRO ASPIRACION U70	
26	65623	TUBO MANDATA INFERIORE TUYAU SCHLAUCH PIPE MANGUITO	
27	472061	RONDELLA X GUIDA CESTO CL.3 RONDELLE UNTERLEGSCHEIBE, FÜR KORBFÜHRUNG KL.3 WASHER arandela	
28	65293	STAFFA EQUERRE DE FIXATION BEF.WINKEL BRACKET BRIDA DE APOYO	
29	75864	TROPPOPIENO TROP PLEIN UEBERLAUFROHR OVERFLOW PIPE REBOSE	
30	75105	STAFFA SUPPORTO BRACCIO LAV INF. console de support BEF. WINKEL support bracket ménsula de soporte	



31	CGR4131NT <u>Recommended spare parts</u>	O-RING O-RING O-RING 4131 SCHWARZE SCHRAUBE SH.70 O-RING O-RING	
32	75871 <u>Recommended spare parts</u>	PILETTA DI SCARICO TUYAU DE DRAINAGE ablassen DRAIN CONNECTION PILETA DESCARGA	
33	75873 <u>Recommended spare parts</u>	GUARNIZIONE JOINT DICHTUNG GASKET JUNTA	
34	75872 <u>Recommended spare parts</u>	DADO PILETTA SCARICO ECROU sortie de vidange MUTTER Abflussauslass NUT WASTE DRAIN TUERCA DESCARGA DE RESIDUOS	
35	75639	CODOLO DI SCARICO TRAINO RACCORD JE DÉCHARGE (PLASTIQUE) ABLAUFGARNITUR (KUNSTSTOFF) DRAIN FITTING (PLASTIC) CONEXIÓN DE DESCARGA	
36	DAS20206	STAFFA PRESSOSTATO EQUERRE DE FIXATION PRESSOSTAT BEF.WINKEL DRUCKWAECHTER BRACKET PRESSURE SWITCH BRIDA DE APOYO PRESOSTATO	
37	926049 <u>Recommended spare parts</u>	PRESSOSTATO TIPO 180-70 PRESSOSTAT DRUCKSCHALTER 761999 180-70 PRESSURE SWITCH PRESOSTATO	
38	CVZ4	VITE VIS SCHRAUBE SCREW tornillo	
39	75429 <u>Recommended spare parts</u>	FILTRO RACCOLTA CON PESO FILTRE FILTER COLLECTING FILTER WITH WEIGHT FILTRO	
40	75428	PESO PER FILTRO A CESTELLO POIDS AU PANIER FILTRE GEWICHT FÜR KORBFILTER WEIGHT FOR BASKET STAINER PESO DE FILTRO DE CESTA	
41	CVI1101	VITE INOX 4MAX10 TC/CROCE VIS INOX 4MAX10 TC/CROIX SCHRAUBE, INOX 4MAX10 TC/KREUZ SCREW, INOX 4MAX10 TC/CROSS TORNILLO INOX 4MAX10 TC/CRUZ	
42	417091	DADO AUTOBLOCK 7474 M4 985/B INOX A2 ECROU AUTOBLOCK SCHRAUBENMUTTER/SELBSTSICH. 7474 M4 985/B INOX A2 NUT - SELF-LOCK TUERCA/AUTOBLOCK	
43	75515	FILTRO VASCA LAVAGGIO TRAINO FILTRE FILTER STAINER FILTRO	
44	417091	DADO AUTOBLOCK 7474 M4 985/B INOX A2 ECROU AUTOBLOCK SCHRAUBENMUTTER/SELBSTSICH. 7474 M4 985/B INOX A2 NUT - SELF-LOCK TUERCA/AUTOBLOCK	
45	75513	VITE VIS SCHRAUBE SCREW tornillo	



46	75514	PESO PER FILTRO VASCA POIDS AU FILTRE GEWICHT FÜR FILTER WEIGHT FOR STAINER PESO DE FILTRO DE CESTA	
47	CFS1A	FASCETTA SERRAGGIO TUBI Collier de serrage SCHELLE, SCHRAUBE TORRO W1/W2B 40-60/12 HOSE CLAMP ABRAZADERA	
50	984005  <i>Recommended spare parts</i>	GRUPPO TRAPPOLA D'ARIA PRISE D'AIR - COMPLETE GLOCKE, DRUCKSCHALTER 35/40 AIR TRAP, ASSY GRUPO CAMPANA PRESOSTATO 35/40	
51	143005  <i>Recommended spare parts</i>	TUBO IN GOMMA TELATA 5X12 NERO TUYAU EN CAOUTCHOUC LIN 5X12 NOIR SCHLAUCH TP 5X11 (CASER/15/NL C4N) LINEN RUBBER PIPE 5X12 - BLACK TUBO PRES. TP 5x11 (CASER/15/NL C4N)	
52	468029	RACCORDO TRAPPOLA ARIA PRESSOSTATO RACCORD PRISE D'AIR PRESSOSTAT VERBINDUNGSSTK. TANKEINLAUF AIR TRAP CONNECTION OF PRESSURE SWITCH EMPALME CAMPANA PRESOSTATO	
53	456020	guarnizione o-ring joint torique o-ring O-Ring 3050 R495 O-ring junta tórica o-ring	
54	437019	GUARNIZIONE TRAPPOLA ARIA PRESSOSTATO JOINT PRISE D'AIRE PRESSOSTAT DICHTUNG, GLOCKE DRUCKSCH. V.M. PACKING FOR AIR TRAP OF PRESSURE SWITCH JUNTA CAMP. PRES. TORNILLO M.	
55	75648	ATTACCO LANCIA INF. TRAINO BRAS DE CONNEXION VERBINDUNGSARM CONNECTING ARM BRAS DE CONNEXION	
57	H.775489-001	CLIP SONDA TEMPERATURA D5 soutien sonde de température KLIPP FÜR TEMP.FÜHLER D5 Support temperature probe Soporte sonda de temperatura	
58	231016  <i>Recommended spare parts</i>	SONDA TEMPERATURA SONDE TEMPERATURSONDE TEMPERATURE PROBE SONDA TEMPERATURA (AMPOLLA ACERO)	
59	80397C	GRUPPO RESISTENZA 10500W (10,5KW) RESISTANCES 10500W 230/400V HEIZUNG 10500W 230/400V HEATING ELEMENT 10500W 230/400V RESISTENCIA ELECTRICA 10500W	
60	456002	guarnizione o-ring joint torique o-ring O-Ring 48x6,2 O-ring junta tórica o-ring	
61	69870	PROTEZIONE RESISTENZA BOILER PROTECTION RESISTANCE BOILER HEIZUNGSSCHUETZ DES WARMWASSERBEREITERS BOILER HEATING ELEMENT PROTECTION PROTECCION RESISTENCIA CALENTADOR	
62	67870	TERMOSTATO SIC.90/110°(TAR 110°)L=1000MM THERMOSTAT THERMOSTAT, 3-KONTAKTE 90/110°C THERMOSTAT TERMOSTATO 3 CONTACTOS 90/110°C	
62	K67876	KIT TERMOSTATO 95°C 67876 + STAFFA THERMOCOUPLE DE SECURITE (95°) L=1500MM SICHERHEITSTHERMOSTAT (95°) L=1500MM SAFETY THERMOSTAT (95°) L=1500MM TERMOSTATO SEGURIDAD (95°) L=1500MM	

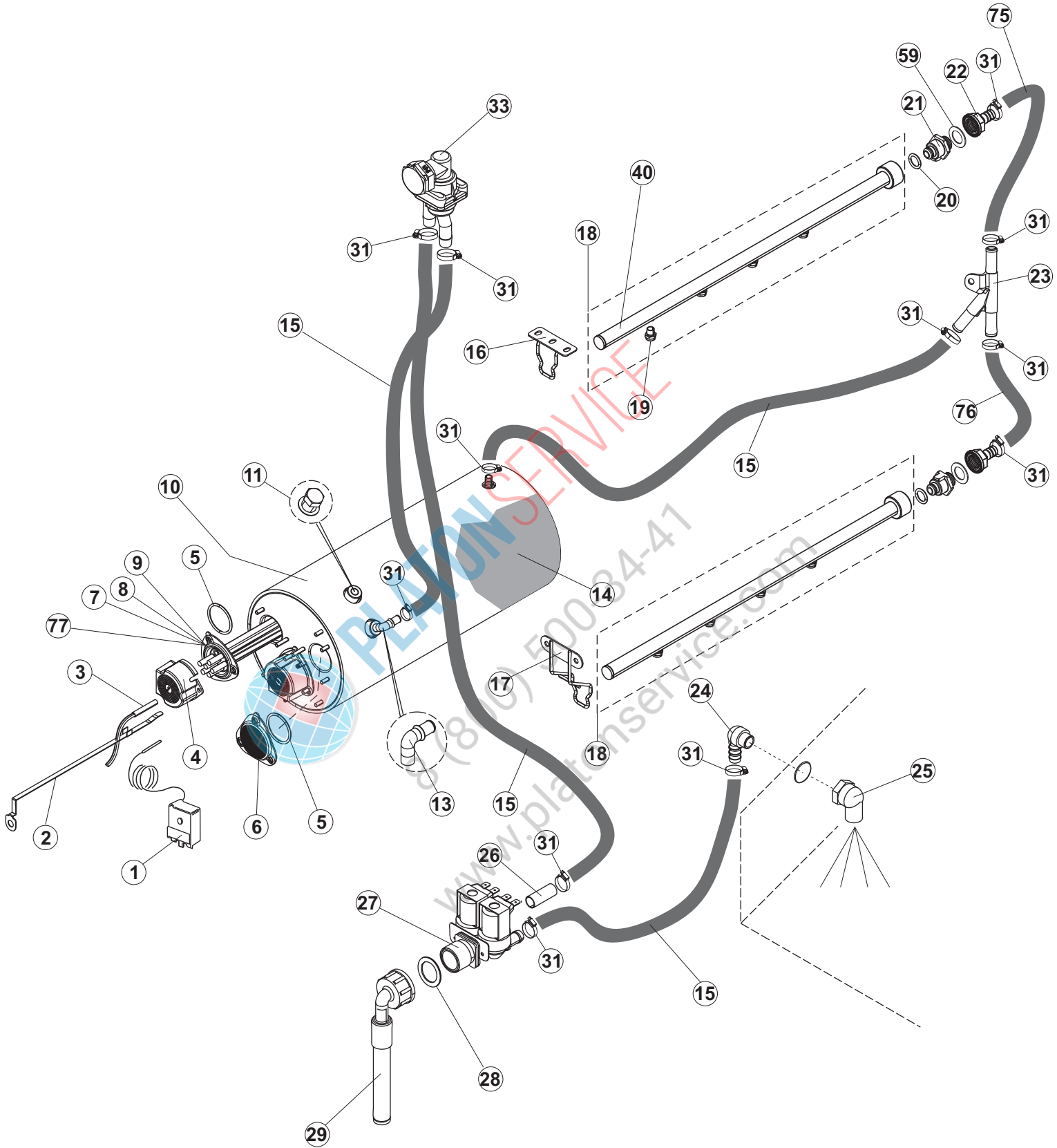
70	77121	SOSTEGNO TENDINA PER LAVASTOVIGLIE A SUPPORT RIDEAU POUR LAVE-VAISSELLE A LAGER FUER VORHANG CURTAIN SUPPORT FOR RACK-CONVEYOR DISH- VARA SOSTEN CORTINA ACCION.	
----	-------	--	--



**PLATON SERVICE**

8 (800) 500-34-41

[www.platonservice.com](http://www.platonservice.com)

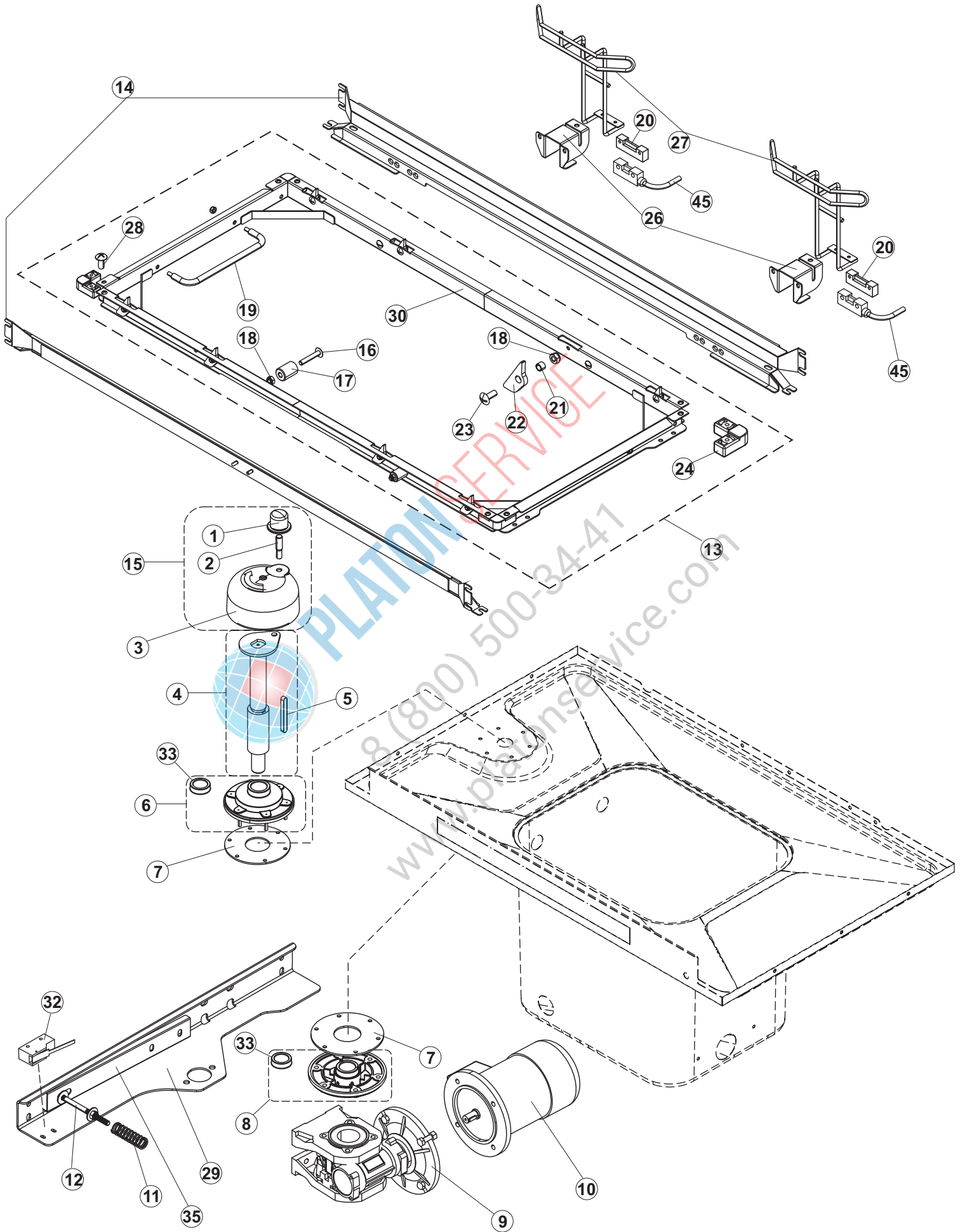


## Listino componenti per pagina 3

1	927057	TERMOSTATO SICUREZZA THERMOSTAT THERMOSTAT, 3-KONTAKTE 90/110°C TYP LS1 THERMOSTAT TERMOSTATO 3 CONTACTOS 90/110°C TIPO LS1	
1	67870	TERMOSTATO SIC.90/110°(TAR 110°)L=1000MM THERMOSTAT THERMOSTAT, 3-KONTAKTE 90/110°C THERMOSTAT TERMOSTATO 3 CONTACTOS 90/110°C	
1	K67875	TERMOSTATO + STAFFA THERMOSTAT + EQUERRE DE FIXATION THERMOSTAT + STÜTZHALTER THERMOSTAT + HOLDER TERMOSTATO + APOYO	
2	69871	PORTASONDA SUPPORT DE SONDÉ SONDENHALTER PROBE HOLDER SOPORTE DE SONDA	
3	231016  <i>Recommended spare parts</i>	SONDA TEMPERATURA SONDE TEMPERATURSONDE TEMPERATURE PROBE SONDA TEMPERATURA (AMPOLLA ACERO)	
4	69870	PROTEZIONE RESISTENZA BOILER PROTECTION RESISTANCE BOILER HEIZUNGSSCHUETZ DES WARMWASSERBEREITERS BOILER HEATING ELEMENT PROTECTION PROTECCION RESISTENCIA CALENTADOR	
5	456002	guarnizione o-ring joint torique o-ring O-Ring 48x6,2 O-ring junta tórica o-ring	
6	926053	TAPPO PER FLANGIA CHIUSA (170880543) EMBOUT POUR BRIDE FERMEE'(170880543) PFROPFEN/FLANSCH BLIND 170880543 CLOSED FLANGE CAP (170880543) TAPON/BRIDA CIEGA 170880543	
7	230083C  <i>Recommended spare parts</i>	<b>KIT RESISTENZA 6KW</b> <b>RESISTANCE 6KW</b> <b>KIT HEIZUNG REB230083 (6KW)</b> <b>HEATING ELEMENT 6KW</b> <b>RESISTENCIA 6KW</b>	
8	230020C  <i>Recommended spare parts</i>	<b>KIT RESISTENZA (8KW)</b> <b>KIT RESISTANCES REB230020 (8KW)</b> <b>KIT HEIZUNG REB230020 (8KW)</b> <b>KIT HEATING ELEMENTS REB230020 (8KW)</b> <b>KIT RESISTENCIA REB230020 (8KW)</b>	
9	80398C  <i>Recommended spare parts</i>	<b>GRUPPO RESISTENZA 80398 (9.5KW)</b> <b>TROUSSE DE MONTAGE RESISTANCE 80398</b> <b>HEIZUNG, B. 9500W 230V RIVER 82/83</b> <b>READY-TO-ASSEMBLE KIT FOR HEATING</b> <b>RESISTENCIA B. 9500W 230V RIVER 82/83</b>	
10	65700	BOILER CHAUDIÈRE WARMWASSERBEREITER BOILER CALDERIN	
11	65875	TAPPO IN OTTONE CROMATO BOUCHON EN LAITON CHROMÉ DECKEL KAPPE MESSING VERCHROMT CAP CHROME-PLATED BRASS CASQUILLO DE LATÓN CROMADO	
13	K65271	RACCORDO TUBO ENTRATA ACQUA RACCORD DE TUYAU D'ARRIVÉE D'EAU WASSEREINLASSROHRFITTING WATER INLET PIPE FITTING RACCOR TUBO ENTRADA DE AGUA	
13	65018	RACCORDO 1/4"G CON PORTAGOMMA 90°INOX RACCORD VERBINDUNGSST. PIPE FITTING RECOGIDA	

14	65245	COIBENTAZIONE BOILER ISOLATION SURCHAUFFEUR ISOLATIONSMANTEL DURCHLAUFERH. COVER INSULATION AISLAMIENTO CALENTADOR	
15	143010	TUBO IN GOMMA 12X19,5 (FOOD QUALITY) TUYAU EN CAOUTCHOUC 12X19,5 ROHR, DRUCKSCHALTER TP 12X19.5 RUBBER PIPE 12X19,5 TUBO PRES. TP 12X19. 5	
16	65582	SQUADRA BRACCIO RISCIAQUO SUPERIORE CONSOLE DE SUPPORT STÜTZWINKEL BRACKET BRIDA DE APOYO	
17	65588	STAFFA SUPPORTO BRACCIO LAV INF. console de support BRAS DE RINCAGE Stützwinkel NACHSPUELARM support bracket RINSE ARM ménsula de soporte BRAZO ENJUAGUE	
18	65954	BRACCIO RISCIAQUO INOX 4 UGELLI T101 BRAS DE RINCAGE INOX T101 SPULEN ARM INOX T101 RINSE ARM INOX T101 BRAZO ACLARADO INOX T101	
19	65950	SPRUZZATORE RISCIAQUO INOX GICLEUR DE RINÇAGE INOX EDELSTAHL NACHSPUELDUESE STAINLESS STEEL RINSE SPRAY NOZZLE ROCIADOR ENJUAGUE INOX ULTRARINSE IM8MC3	
20	65727  <i>Recommended spare parts</i>	O-RING O-RING 2050 12.42X1.78 EPDM 70SH A O-RING 2050 12.42X1.78 EPDM 70SH A O-RING 2050 12.42X1.78 EPDM 70SH A OR(50825)CAMPANA PRES.LA50	
21	65883  <i>Recommended spare parts</i>	SUPPORTO RISCIAQUO TRAINO IN AISI303 ASOLA GRANDE CONSOLE DE SUPPORT STÜTZWINKEL INTERNAL RINSE PIPE FITTING AISI303 BRIDA DE APOYO	
22	65745	RACCORDO ESTERNO DRITTO IN PP RACCORDEMENT VERSCHRAUBUNG UNION TEE EMPALME	
22	66945	RACCORDO ESTERNO DRITTO INOX 1/2 AISI303 RACCORD VERBINDUNGSST PIPE FITTING RECOGIDA	
23	H.882974-001	COLLETTORE COLLECTEUR SAMMELLEITUNG MAINFOLD COLECTOR	
24	929163	RACCORDO OTTONE PORTA GOMMA 3/8 M RACCORD EN LAITON PORTE-GOMME CURVE 3/8 VERBINDUNGSST., MESSING 3/8M GEBOG. ERDGAS BRASS RUBBER-PIPE HOLDER CONNECTION 3/8 EMPALME LATON 3/8M CURVO METANO	
25	927013	RACCORDO IN OTTONE 3/8X12 A GOMITO RACCORD A COUDE EN LAITON 3/8X12 SOUDE' VERBINDUNGSST., MESSING 3/8X12 GESCHW. VERCHR. ELBOW BRASS CONNECTION 3/8X12 -WELDED EMPALME LAT. 3/8X12 SOLDADO CROMADO	
26	75835  <i>Recommended spare parts</i>	PARZIALIZZATORE 2,5L/MIN (USCITA) ROSSO DISQUE REDUCTEUR DRUCKVERTEILERPLATTE FLOW REDUCER PARCIALIZADOR	
27	929172  <i>Recommended spare parts</i>	ELETTROVALVOLA DOPPIA ELECTROVANNE ELEKTROVENTIL 3/4 DOPPELT 220V(341930)P16LT SOLENOID VALVE ELECTROVALVULA	

28	437041	GUARNIZIONE 3/4 JOINT DICHTUNG 3/4 GASVERSORG. GASKET JUNTA	
29	143270	TUBO CARICO 3/4G D.I.10 2MT TUYAU SCHLAUCH INLET WRAS PIPE TUBO WRAS	
29	143277	TUBO CARICO 3/4G D.I.10 3MT WRAS EN61770 TUYAU DE CHARGEMENT ZULAUF SCHLAUCH, WASSER INLET HOSE TUBO DE CARGA	
31	927322	FASCETTA SERRAGGIO TUBI Collier de serrage SCHLAUCHSCHELLE 12-22 HOSE CLAMP ABRAZADERA	
33	144010NT  <i><u>Recommended spare parts</u></i>	VALVOLA A/R CAPLET Rückschlagventil non-return valve válvula de retención	
40	65845	BRACCIO RISCIAQUO (4 UGELLI) BRAS DE RINCAGE NACHSPÜLARM RINSE ARM BRAZO ACLARADO	
59	65749	GUARNIZIONE ES/AM VERDE 33X21X1,5 JOINT ES/AM VERDE 33X21X1,5 DICHTUNG ES/AM VERDE 33X21X1,5 GASKET ES/AM VERDE 33X21X1,5 JUNTA ES/AM VERDE 33X21X1,5	
75	65747-A	TUBO RISCIAQUO SUP. L 200 RACC 90° TUYAU RINCAGE L 200 RACC 90° SPÜLEN SCHLAUCH L 200 RACC 90° RINSE PIPE L 200 RACC 90° MANGUITO ACLARADO L 200 RACC 90°	
76	65747-B	TUBO RISCIAQUO INF. L 380 RACC 90° TUYAU RINCAGE L 380 RACC 90° SPÜLEN SCHLAUCH L 380 RACC 90° RINSE PIPE L 380 RACC 90° MANGUITO ACLARADO L 380 RACC 90°	
77	230034C	RESISTENZA RESISTANCE KIT HEIZUNG REB230034 (4,5KW) HEATING ELEMENT RESISTENCIA	





## Listino componenti per pagina 4

1	75058 <u>Recommended spare parts</u>	ROTELLA TRAINO RONDELLE ROLLE FÜR KORBTR. WASHER arandela	
2	75234	PERNO PER ALBERO MOTORE TRAINO PIVOT ZAPFEN PIVOT PERNO	
3	75649	PARASPRUZZI ALBERO TRAINO PROTECTIONS CONTRE LES JETS D'EAU Schutz gegen Strahlwasser SPLASH PROTECTION protección contra chorros de agua	
4	65235	ALBERO MOTORE TRAINO VILEBREQUIN CONVOYEUR GETRIEBEWELLE FÖRDER GEAR SHAFT CONVEYOR EJE MOTOR trasportador	
5	65235C <u>Recommended spare parts</u>	CHIAVETTA MOTORIDUTTORE CLAVETTE MOTOREDUCTEUR SCHLUESSELCHEN FUER MOTORUNTERSETZUNGS- GETRIEBE GEARED MOTOR KEY CHAVETA MOTO-REDUCTOR	
6	K75141 <u>Recommended spare parts</u>	FLANGIA SUPERIORE TRAINO BRIDE HAUT CONVOYEUR OBERE Flansch UPPER FLANGE SHAFT CONVEYOR CASQUILLO ACCION. SUPERIOR	
7	75168 <u>Recommended spare parts</u>	GUARNIZIONE FLANGIA ALBERO TRAINO JOINT DICHTUNG, FLANSCH, ANTRIEBSWELLE GASKET JUNTA	
8	K75057 <u>Recommended spare parts</u>	KIT BOCCOLA TRAINO INF.+ANELLO TENUTA DOUILLE DE TRACTION INFÉRIEURE BUCHSE UNTEREN TRAKTION LOWER BUSH & SEAL CASQUILLO ACCION. INFERIOR	
9	65923 <u>Recommended spare parts</u>	RIDUTTORE SW050PA MEC71B5 I=50 REDUCTEUR SW050PA MEC71B5 I=50 DREHZAHLMINDERER SW050PA MEC71B5 I=50 GEARMOTOR SW050PA MEC71B5 I=50 REDUCTOR SW050PA MEC71B5 I=50	
10	927104 <u>Recommended spare parts</u>	MOTORE 180W MEC71 B5 - 8 POLI V230/400 MOTEUR 180W V 230/400 MOTOR 180W MEC71 B5 - 8-POL. 230/400 160 MOTOR 180W V 230/400 MOTOR 180W V 230/400	
11	CMT13 <u>Recommended spare parts</u>	MOLLA A COMPRESSIONE RESSORT DRUCKFEDER D 20 L 100 DRAHT 2 SPRING MUELLE	
12	60354	VITE REGISTRO FRIZIONE ALFA VIS JUSTIERSCHRAUBE FÜR KOPPLUNG ALFA SCREW tornillo	
13	75869	CARRELLO TRAINO TRACTION PANIER KORBTRANSPORT RACK CONVEYOR ARRASTRE DE CESTAS	
14	K65024	GUIDA CESTO TRAINO SOLO RICAMBIO GUIDE PANIER KORBBAHN TT923JT RACK SLIDE RACKCONVEYOR ONLY SPARE PART GUIA CESTA	
15	K75649 <u>Recommended spare parts</u>	KIT PARASPRUZZI TRAINO KIT PLAQUE DE PROTECTION CONTRE LES PROJECTIONS D'E KIT KIT PROTECTIVE PLATE OF SPLASHING WATER SALPICADURAS DE AGUA	

16	75310	VITE M6X16 TESTA BOMB A CROCE (UNI7045) VIS SCHRAUBE SCREW tornillo	
17	75076 <i>Recommended spare parts</i>	TAMPONE FERMO TRAINO TAMPON ARRETR CONVOYEUR PUFFER, HALTEVORRICHTUNG FÜR KORBTRANSPORTAUT. BUFFER FOR DRIVE STOP TAMPON TOPE ACCION.	
18	CDI206AU	DADO AUTOBLOCCANTE ECROU AUTOBLOCK SCHRAUBENM./SELBSTSICH. A2 UNI7474 M6 INOX (UNTEN) NUT - SELF-LOCK TUERCA/AUTOBLOCK	
19	75073	MANIGLIA COLLEGAMENTO TRAINO POIGNEE' REMORQUAGE GRIFF, KORBTRANSPORTM.VERBIND. RACK CONVEYOR HANDLE ASA DE ACCION ARRASTRE A	
20	927088	MAGNETE PER MICROINTERRUPTORE CAPP MAGNETO POUR MICRO HOTTE MAGNET FÜR MIKROSCHALTER MAGNET FOR HOOD MICROSWITCH IMAN PARA MICROINTERRUPTOR	
21	75077	BOCCOLA DOUILLE BUCHSE, ABLAUFVERSCHLUSS BUSH CASQUILLO	
22	75071	DENTE INGRANAGGIO TRAINO ACCUMULER DENT CREMAILLÈRE CONVOYEUR ABLAUFVERSCHLUSS RACK CONVEYOR COG ACCION. ARRASTRE CREMALLERA DENTADA	
22	65897	SALTARELLO TRAINO DI MICROFUSIONE ACCUMULER DENT CREMAILLÈRE CONVOYEUR ABLAUFVERSCHLUSS RACK CONVEYOR COG ACCION. ARRASTRE CREMALLERA DENTADA	
23	CVI172	VITE INOX SPEC.6MAX16 T.1/2 T. POELIER VIS INOX SPEC.6MAX16 T.1/2 T. POELIER SCHRAUBE, INOX SPEC.6MAX16 T.1/2 T. POELIER SCREW, INOX SPEC.6MAX16 T.1/2 T. POELIER TORNILLO INOX SPEC. 6MAX16 T. 1/2 T.POEL	
24	75075 <i>Recommended spare parts</i>	PATTINO CARRELLO TRAINO PATIN POUR TRACTION KUFEN FÜR KORBTR. sled cart towing trineo carrito remolque	
25	65022	GUIDA TRAINO CONVOYEUR GUIDE KORBTRANSPORT SCHLITTENFÜHRUNG CONVEYOR GUIDE GUIAS DEL ARRASTRE	
26	75110	STAFFA ECONOMIZZATORE TRAINO SUPPORT DE L'ÉCONOMISEUR HALTERUNG ECONOMIZER BRACKET ECONOMIZER ECONOMIZADOR SOPORTE	
27	75095	LEVA AZIONAMENTO RISCIAQUO LEVA ECONOMIZZATORE À LEVIER DE RINÇAGE HEBEL FÜR SPARREGLER/AUTOTIMER KORBTR. OPERATED RINSING LEVER LEVA ACCIONAMIENTO DEL ACLARADO	
28	486169	VITE INOX 4MAX10 TBCR-SP VIS EN ACIER INOXYDABLE 4MAX10 TBCR-SP SCHRAUBE, INOX 4MAX10/4 TBCR-SP STAINLESS STEEL SCREW 4MAX10 TBCR-SP TORNILLO NOX 4MAX10/4 TBCR-SP	
29	65217	STAFFA MOTORE TRAINO EQUERRE CONVOYEUR MOTEUR STÜTZWINKEL ANTRIEBSMOTOR BRACKET CONVEYOR MOTOR SOPORTE MOTOR TRASPORTADOR	

30	75868	TELAIO CARRELLO TRAINO TRACTION PANIER WAGEN KORBDURCHLAUF TOWING RACK CESTAS REMOLQUE P	
32	927246  <u>Recommended spare parts</u>	MICROINTERRUTTORE MICROINTERRUPTEUR MIKROSCHALTER, MS30+MUTTER VFC03 MICROSWITCH MICROINTERRUPTOR MS30+CAPERUZA VFC03	
33	927095	ANELLO DI TENUTA MIM 30X40X7 (MIM 30407) BAGUE D'ETANCHEITE' MIM 30X40X7 (MIM30407) DICHTUNGSRING MIM 30X40X7 (MIM 30407) SEAL RING MIM 30X40X7 (MIM 30407) ANILLO DE ESTANQ. MIM 30X40X7 (MIM30407)	
35	75218	STAFFA AZIONAMENTO MICRO TRAINO console de support TRAGBUEGEL support bracket SOPORTE ACTIV. MICRO ACCION. PG ACAB.	
45	80871  <u>Recommended spare parts</u>	MICRO MAGNETICO CONTACTE MAGNETIQUE TUERKONTAKTSCHALTER MAGNETIC DOOR SWITCH CONTACTO MAGNETICO	

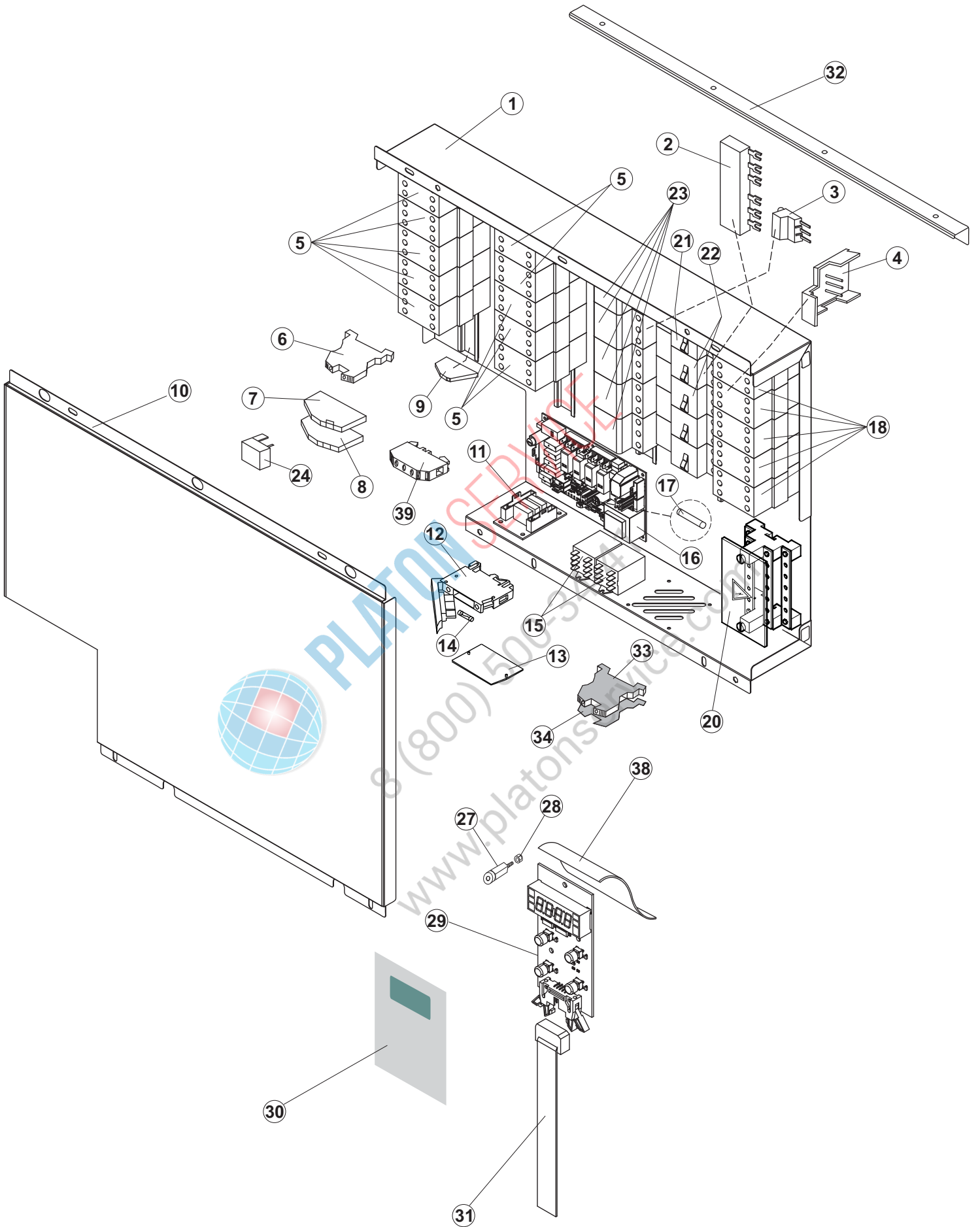


PLATON SERVICE

8 (800) 500-34-41

www.platonservice.com

# 5



## Listino componenti per pagina 5

1	65680	PANNELLO PER COMPONENTI ELETTRICI PANNEAU DE COMPOSANTS ÉLECTRIQUES PANEL FÜR ELEKTRISCHE BAUTEILE PANEL FOR ELECTRICAL COMPONENTS PANEL DE COMPONENTES ELÉCTRICOS	
2	80829	BARRA COLLEGAMENTO ELETTRICO 3 FASE 2 INTER. (ART.3R BAR CONNEXION ÉLECTRIQUE BAR ELEKTRISCHER ANSCHLUSS BAR ELECTRICAL CONNECTION EMBARRADO CONEXIÓN ELÉCTRICA 3 F 2 INTER.(ART.3RV191	
3	80826	MORSETTO CONNECTEUR D'ALIMENTATION NETZANSCHLUSS POWER CONNECTOR CONECTOR DE ALIMENTACIÓN	
4	73830	CONNETTORE CONNECTEUR STECKVERBINDER CONNECTOR CONECTOR	x4
5	73351  <i>Recommended spare parts</i>	CONTATTORE CONTACTEUR KONTAKT-GEBER 230-50/60HZ CONTACTOR CONTACTOR	
6	927115	MORSETTIERA DOPPIO COLLEGAMENTO 4MMQ DI bornier pour le raccordement ANSCHLUSSKLEMME TERMINAL BLOCK bloque de terminales	
7	80822	MORSETTO 2,5MM 24A (ART.280-641) GRIGIO BORNE KLEMME TERMINAL BORNE 2,5MM 24A (ART.280-641) GRIS	x17
7	74938	MORSETTO 2,5MM 24A GRIGIO DA BARRA OMEGA BORNE KLEMME TERMINAL BORNE	
8	80824	MORSETTO BORNE KLEMME TERMINAL BORNERO	x7
8	74939	TERMINALE MORSETTO 74938 GRIGIO BORNE KLEMME TERMINAL BORNERO	
9	75817	MORSETTO PER BARRA OMEGA CONNECTEUR ÉLECTRIQUE POUR U-FORME BARRE ELEKTRISCHER VERBINDER ZUM STABFÖRMIGEN ELECTRICAL CONNECTOR FOR U-SHAPED BAR CONECTOR ELÉCTRICO PARA VARILLA EN FORMA DE U	
10	65683	COPERCHIO QUADRO ELETTRICO COUVERCLE VERSCHLUSSDECKEL COVER TAPA	
11	74903	SCHEDA ELETTRONICA CARTE ELECTRONIQUE KARTE ELEKTRONIK MAIN BOARD TARJETA electrónica	
12	H.228047	PORTAFUSIBILE PORTE-FUSIBLE *SICHERUNGSTRAGER FUSE-HOLDER PORTA-FUSIBLE	
12	74935	PORTA FUSIBILE 5X20 PORTE-FUSIBLE *SICHERUNGSTRAGER FUSE-HOLDER PORTA-FUSIBLE	

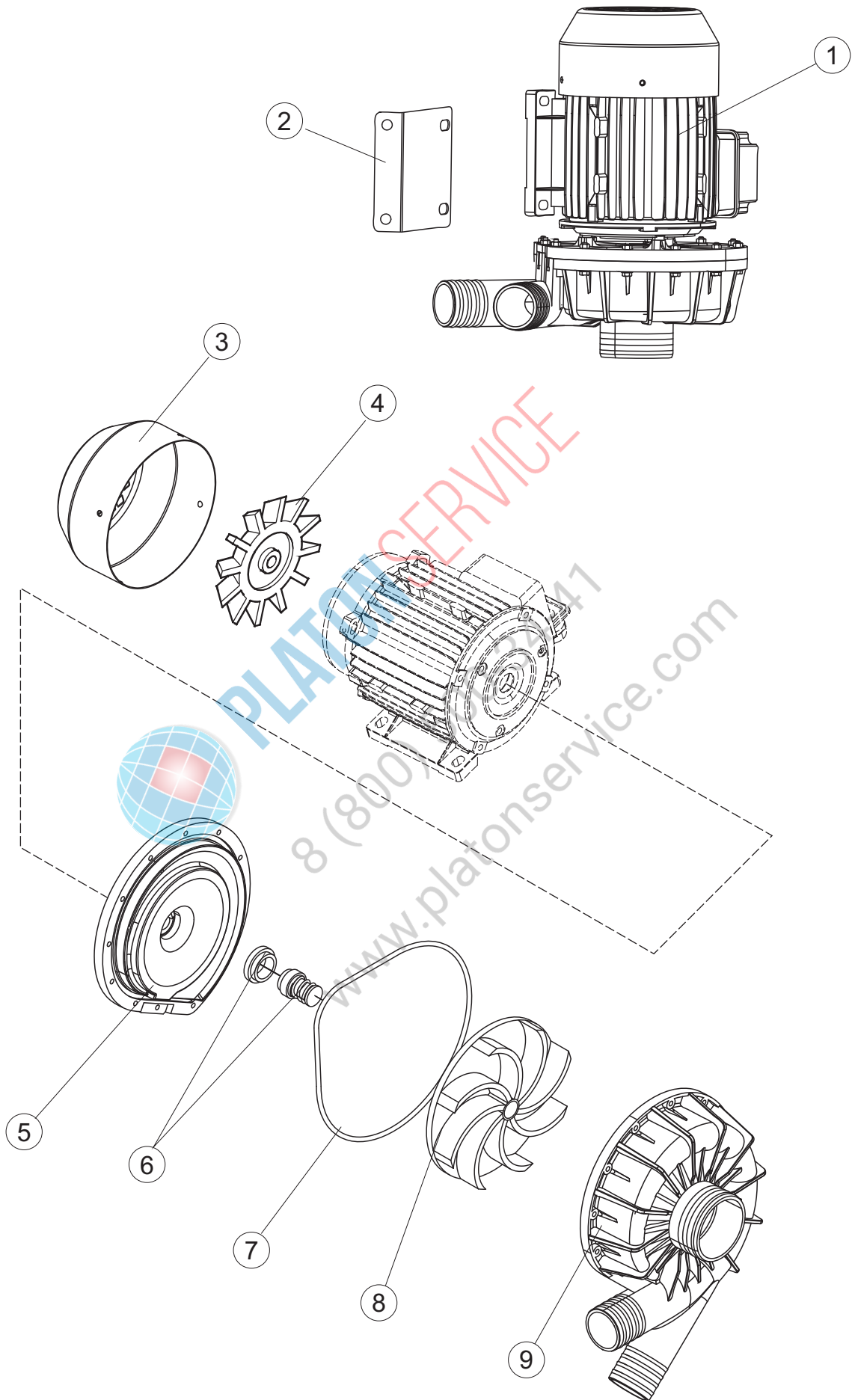
13	H.228048	TAPPO PORTAFUSIBILE BOUCHON * SICHERUNGSTRAGER-VERSCHLUSS PLUG TAPON	
14	228014	FUSIBILE 5X20 T4A FUSIBLE SICHERUNG FUSE FISIBILE	
15	229036  <i>Recommended spare parts</i>	RELE` FINDER 62.83 16A 230/50 RELAIS RELAIS FINDER 62.83 16A 230/50 RELAY RELE	
16	215042-2  <i>Recommended spare parts</i>	SCHEDA 215042+FIRMWARE26(FW_0_XXA.Q014) CARTE 215042+FIRMWARE26(FW_0_XXA.Q014) KARTE ELEKTRONIK 215042+FIRMWARE26 (FW_0_XXA.Q014) MAIN BOARD 215042+ FIRMWARE26(FW_0_XXA.Q014) TARJETA ELECTRONICA 215042+FIRMWARE26 (FW_0_XXA.Q014)	
17	228010  <i>Recommended spare parts</i>	FUSIBILE 5X20 T4A RITARDATO 250V FUSIBLE SICHERUNG 5X20 T4A FUSE FISIBILE	
18	73350  <i>Recommended spare parts</i>	CONTATTORE CONTACTEUR KONTAKT-GEBER 230-50/60HZ CONTACTOR CONTACTOR	
20	75983	MORSETTIERA DI POTENZA DA 4POLI 125A bornier pour le raccordement KLEMMLEISTE 4P 600V TERMINAL BLOCK bloque de terminales	
21	DEI40N	INTERRUPTORE AUTOMATICO interrupteur automatique AUT. SCHALTER automatic switch interruptor automático	
22	DEI36N	INT AUT 3X25A 1/1,6A 3RV2011-1AA10 INTERRUCTEUR AUTOMATIQUE AUT. SCHALTER AUTOMATIC SWITCH INT AUT 3X25A 1/1,6A 3RV2011-1AA10	
23	927038	PORTAFUSIBILE TRIPOLARE GK1-DF PORTE-FUSIBLE TROIS-POLES GK1-DF SICHERUNGSHALTER DREIPOL. GK1-DF FUSE-HOLDER - TRIPOLAR GK1-DF PORTA-FUSIBLE TRIPOLAR GK1-DF	
24	80825	PONTICELLO COLLEGAMENTO ELETTRICO CAVALIER ÉLECTRIQUE ELEKTRO-BRÜCKE JUMPER PUENTE CONEXION ELÉCTRICA	
24	74940	PONTICELLO 2 POLI ROSSO PER 74939 CAVALIER ELEKTRO-BRÜCKE JUMPER PUENTE CONEXION	
27	419036  <i>Recommended spare parts</i>	DISTANZIALI SCHEDA ENTRETOISE X CARTE ELECTRONIQUE ABSTANDSSTÜCK, M3 INTERFACE BOARD DISTANCE KEEPERS DISTANCIADOR M3	
28	417119  <i>Recommended spare parts</i>	DADO ECROU SCHRAUBENMUTTER, M3 KUNST. WEISS NUT TUERCA	
29	74901  <i>Recommended spare parts</i>	TASTIERA touche clavier commande Tastaturbefehle CONTROL KEYBOARD TECLADO DE COMANDOS	

30	66789	INTERFACCIA ADESIVA DI CONTROLLO NIAGARA PANNELLO A INTERFACE ADHÉSIVE CONTRÔLE NIAGARA TASTATURFOLIEN NIAGARA CONTROL ADHESIVE INTERFACE NIAGARA INTERFAZ ADHESIVA DE CONTROL NIAGARA	
31	80934 <i>Recommended spare parts</i>	CAVO FLAT CABLE FLAT FLACHKABEL FLAT CABLE CABLE FLAT	
31	74944	CAVO FLAT (750 MM) CON GUAINA CABLE FLAT FLACHKABEL FLAT CABLE CABLE FLAT	
32	65491	STAFFA SUPPORTO CRUSCOTTO EQUERRE DE FIXATION BEF.WINKEL BRACKET BRIDA DE APOYO	
33	65980	MORSETTO 35MMQ 750V COLORE BLU BORNE KLEMME TERMINAL BORNERO	
33	74936	MORSETTO 35MMQ 750V COLORE BLU B.OMEGA BORNE KLEMME TERMINAL BORNE	
34	65981	TAPPO MORSETTO 35MMQ 750V COLORE BLU BOUCHON DECKEL PLUG TAPON	
38	214088	TENDINA PVC PROTEZIONE CABLAGGIO RIDEAU PVC PROTECTION ÉLECTRIQUE EL.SCHUTZ, TRANSP.KL.3 PVC CURTAIN FOR ELECTRIC PROTECTION PVC CORTINAS ELÉCTRICAS PROTECCIÓN	
39	927114	MORSETTIERA SIEMENS 35MM 8WA10111PM00 bornier pour le raccordement KLEMMENB. SIEMENS 35MM 8WA1-735(ERDUNG) TERMINAL BLOCK bloque de terminales	



8 (800) 501-34-41  
www.platonservice.com





## Listino componenti per pagina 6

1	70100 <i>Recommended spare parts</i>	POMPA LAVAGGIO POMPE DE LAVAGE PUMPE WASHPUMP bomba de lavado	
2	70105	STAFFA EQUERRE DE FIXATION BEF.WINKEL BRACKET BRIDA DE APOYO	
3	70940	COPRIVENTOLA ELETTRPOMPA COUVRE-HELICE POUR POMPE LAUFRAD-DECKEL FUER PUMPE 1240 ELECTROPUMP FAN COVER CUBREVENTILADOR ELECTROBOMBA	
4	70939	VENTOLA POMPA 2400 VENTILATEUR POUR MOTOPOMPE LAUFRAD FUER MOTORPUMPE WASHPUMP FUN ROTOR PARA ELECTROBOMBA	
5	70941	FLANGIA BRIDE FLANSCH FLANGE BRIDA	
6	70942	TENUTA MECCANICA ETANCHEITE MECHANIQUE POUR MOTOPOMPE MECHANISCHE DICHTUNG WASHPUMP SHAFT SEAL SELLO MECANICO PARA ELECTROBOMBA	
7	70943	O-RING O-RING O-RING O-RING O-RING	
8	70944	GIRANTE ELETTRPOMPA IMPULSEUR MOTOPOMPE FLUEGELRAD FUER MOTORPUMPE ELECTROPUMP IMPELLER ROTOR PARA ELECTROBOMBA	
9	70945	CHIOCCIOLA ELETTRPOMPA couvercle de la turbine PUMPENGEHAEUSE ELECTROPUMP HOUSING ESPIRAL PARA ELECTROBOMBA	

# RECOMMENDED SPARE PARTS

PAG 1	POS 10	COD 65654	KIT MOLLE SPORTELLO TRAINO RESSORT KIT FEDER KIT DOOR SPRING KIT KIT MUELLES PUERTA GOLD80/RIVER150
PAG 1	POS 17	COD 80871	MICRO MAGNETICO CONTACTE MAGNETIQUE TUERKONTAKTSCHALTER MAGNETIC DOOR SWITCH CONTACTO MAGNETICO
PAG 2	POS 6	COD 70100	POMPA LAVAGGIO POMPE DE LAVAGE PUMPE WASHPUMP bomba de lavado
PAG 2	POS 8	COD CGR4131NT	O-RING O-RING O-RING 4131 SCHWARZE SCHRAUBE SH.70 O-RING O-RING
PAG 2	POS 31	COD CGR4131NT	O-RING O-RING O-RING 4131 SCHWARZE SCHRAUBE SH.70 O-RING O-RING
PAG 2	POS 32	COD 75871	PILETTA DI SCARICO TUYAU DE DRAINAGE ablassen DRAIN CONNECTION PILETA DESCARGA
PAG 2	POS 33	COD 75873	GUARNIZIONE JOINT DICHTUNG GASKET JUNTA
PAG 2	POS 34	COD 75872	DADO PILETTA SCARICO ECROU sortie de vidange MUTTER Abflussauslass NUT WASTE DRAIN TUERCA DESCARGA DE RESIDUOS
PAG 2	POS 37	COD 926049	PRESSOSTATO TIPO 180-70 PRESSOSTAT DRUCKSCHALTER 761999 180-70 PRESSURE SWITCH PRESOSTATO
PAG 2	POS 39	COD 75429	FILTRO RACCOLTA CON PESO FILTRE FILTER COLLECTING FILTER WITH WEIGHT FILTRO
PAG 2	POS 50	COD 984005	GRUPPO TRAPPOLA D'ARIA PRISE D'AIR - COMPLETE GLOCKE, DRUCKSCHALTER 35/40 AIR TRAP, ASSY GRUPO CAMPANA PRESOSTATO 35/40
PAG 2	POS 51	COD 143005	TUBO IN GOMMA TELATA 5X12 NERO TUYAU EN CAOUTCHOUC LIN 5X12 NOIR SCHLAUCH TP 5X11 (CASER/15/NL C4N) LINEN RUBBER PIPE 5X12 - BLACK TUBO PRES. TP 5x11 (CASER/15/NL C4N)
PAG 2	POS 58	COD 231016	SONDA TEMPERATURA SONDE TEMPERATURSONDE TEMPERATURE PROBE SONDA TEMPERATURA (AMPOLLA ACERO)
PAG 3	POS 3	COD 231016	SONDA TEMPERATURA SONDE TEMPERATURSONDE TEMPERATURE PROBE SONDA TEMPERATURA (AMPOLLA ACERO)
PAG 3	POS 7	COD 230083C	KIT RESISTENZA 6KW RESISTANCE 6KW KIT HEIZUNG REB230083 (6KW) HEATING ELEMENT 6KW RESISTENCIA 6KW
PAG 3	POS 8	COD 230020C	KIT RESISTENZA (8KW) KIT RESISTANCES REB230020 (8KW) KIT HEIZUNG REB230020 (8KW) KIT HEATING ELEMENTS REB230020 (8KW) KIT RESISTENCIA REB230020 (8KW)

# RECOMMENDED SPARE PARTS

PAG 3	POS 9	COD 80398C	GRUPPO RESISTENZA 80398 (9.5KW) TROUSSE DE MONTAGE RESISTANCE 80398 HEIZUNG, B. 9500W 230V RIVER 82/83 READY-TO-ASSEMBLE KIT FOR HEATING RESISTENCIA B. 9500W 230V RIVER 82/83
PAG 3	POS 20	COD 65727	O-RING O-RING 2050 12.42X1.78 EPDM 70SH A O-RING 2050 12.42X1.78 EPDM 70SH A O-RING 2050 12.42X1.78 EPDM 70SH A OR(50825)CAMPANA PRES.LA50
PAG 3	POS 21	COD 65883	SUPPORTO RISCIAQUO TRAINO IN AISI303 ASOLA GRANDE CONSOLE DE SUPPORT STÜTZWINKEL INTERNAL RINSE PIPE FITTING AISI303 BRIDA DE APOYO
PAG 3	POS 26	COD 75835	PARZIALIZZATORE 2,5L/MIN (USCITA) ROSSO DISQUE REDUCTEUR DRUCKVERTEILERPLATTE FLOW REDUCER PARCIALIZADOR
PAG 3	POS 27	COD 929172	ELETTRORVALVOLA DOPPIA ELECTROVANNE ELEKTROVENTIL 3/4 DOPPELT 220V(341930)P16LT SOLENOID VALVE ELETTRORVALVULA
PAG 3	POS 33	COD 144010NT	VALVOLA A/R CAPLET Rückschlagventil non-return valve válvula de retención
PAG 4	POS 1	COD 75058	ROTELLA TRAINO RONDELLE ROLLE FÜR KORBTR. WASHER arandela
PAG 4	POS 5	COD 65235C	CHIAVETTA MOTORIDUTTORE CLAVETTE MOTOREDUCTEUR SCHLUESSELCHEN FUER MOTORUNTERSETZUNGS- GETRIEBE GEARED MOTOR KEY CHAVETA MOTO-REDUCTOR
PAG 4	POS 6	COD K75141	FLANGIA SUPERIORE TRAINO BRIDE HAUT CONVOYEUR OBERE Flansch UPPER FLANGE SHAFT CONVEYOR CASQUILLO ACCION. SUPERIOR
PAG 4	POS 7	COD 75168	GUARNIZIONE FLANGIA ALBERO TRAINO JOINT DICHTUNG, FLANSCH, ANTRIEBSWELLE GASKET JUNTA
PAG 4	POS 8	COD K75057	KIT BOCCOLA TRAINO INF.+ANELLO TENUTA DOUILLE DE TRACTION INFÉRIEURE BUCHSE UNTEREN TRAKTION LOWER BUSH & SEAL CASQUILLO ACCION. INFERIOR
PAG 4	POS 9	COD 65923	RIDUTTORE SW050PA MEC71B5 I=50 REDUCTEUR SW050PA MEC71B5 I=50 DREHZAHLMINDERER SW050PA MEC71B5 I=50 GEARMOTOR SW050PA MEC71B5 I=50 REDUCTOR SW050PA MEC71B5 I=50
PAG 4	POS 10	COD 927104	MOTORE 180W MEC71 B5 - 8 POLI V230/400 MOTEUR 180W V 230/400 MOTOR 180W MEC71 B5 - 8-POL. 230/400 160 MOTOR 180W V 230/400 MOTOR 180W V 230/400
PAG 4	POS 11	COD CMT13	MOLLA A COMPRESSIONE RESSORT DRUCKFEDER D 20 L 100 DRAHT 2 SPRING MUELLE
PAG 4	POS 15	COD K75649	KIT PARASPRUZZI TRAINO KIT PLAQUE DE PROTECTION CONTRE LES PROJECTIONS D'E KIT KIT PROTECTIVE PLATE OF SPLASHING WATER SALPICADURAS DE AGUA
PAG 4	POS 17	COD 75076	TAMPONE FERMO TRAINO TAMPON ARRETR CONVOYEUR PUFFER, HALTEVORRICHTUNG FÜR KORBTRANSPORTAUT. BUFFER FOR DRIVE STOP TAMPON TOPE ACCION.

# RECOMMENDED SPARE PARTS

<b>PAG</b> 4	<b>POS</b> 24	<b>COD</b> 75075	PATTINO CARRELLO TRAINO PATIN POUR TRACTION KUFEN FÜR KORBTR. sled cart towing trineo carrito remolque
<b>PAG</b> 4	<b>POS</b> 32	<b>COD</b> 927246	MICROINTERRUTTORE MICROINTERRUPTEUR MIKROSCHALTER, MS30+MUTTER VFC03 MICROSWITCH MICROINTERRUPTOR MS30+CAPERUZA VFC03
<b>PAG</b> 4	<b>POS</b> 45	<b>COD</b> 80871	MICRO MAGNETICO CONTACTE MAGNETIQUE TUERKONTAKTSCHALTER MAGNETIC DOOR SWITCH CONTACTO MAGNETICO
<b>PAG</b> 5	<b>POS</b> 5	<b>COD</b> 73351	CONTATTORE CONTACTEUR KONTAKT-GEBER 230-50/60HZ CONTACTOR CONTACTOR
<b>PAG</b> 5	<b>POS</b> 15	<b>COD</b> 229036	RELE FINDER 62.83 16A 230/50 RELAIS RELAIS FINDER 62.83 16A 230/50 RELAY RELE
<b>PAG</b> 5	<b>POS</b> 16	<b>COD</b> 215042-2	SCHEDA 215042+FIRMWARE26(FW_0_XXA.Q014) CARTE 215042+FIRMWARE26(FW_0_XXA.Q014) KARTE ELEKTRONIK 215042+FIRMWARE26 (FW_0_XXA.Q014) MAIN BOARD 215042+ FIRMWARE26(FW_0_XXA.Q014) TARJETA ELECTRONICA 215042+FIRMWARE26 (FW_0_XXA.Q014)
<b>PAG</b> 5	<b>POS</b> 17	<b>COD</b> 228010	FUSIBILE 5X20 T4A RITARDATO 250V FUSIBLE SICHERUNG 5X20 T4A FUZE FISIBLE
<b>PAG</b> 5	<b>POS</b> 18	<b>COD</b> 73350	CONTATTORE CONTACTEUR KONTAKT-GEBER 230-50/60HZ CONTACTOR CONTACTOR
<b>PAG</b> 5	<b>POS</b> 27	<b>COD</b> 419036	DISTANZIALI SCHEDA ENTRETOISE X CARTE ELECTRONIQUE ABSTANDSSTÜCK, M3 INTERFACE BOARD DISTANCE KEEPERS DISTANCIADOR M3
<b>PAG</b> 5	<b>POS</b> 28	<b>COD</b> 417119	DADO ECROU SCHRAUBENMUTTER, M3 KUNST. WEISS NUT TUERCA
<b>PAG</b> 5	<b>POS</b> 29	<b>COD</b> 74901	TASTIERA touche clavier commande Tastaturbefehle CONTROL KEYBOARD TECLADO DE COMANDOS
<b>PAG</b> 5	<b>POS</b> 31	<b>COD</b> 80934	CAVO FLAT CABLE FLAT FLACHKABEL FLAT CABLE CABLE FLAT
<b>PAG</b> 6	<b>POS</b> 1	<b>COD</b> 70100	POMPA LAVAGGIO POMPE DE LAVAGE PUMPE WASHPUMP bomba de lavado